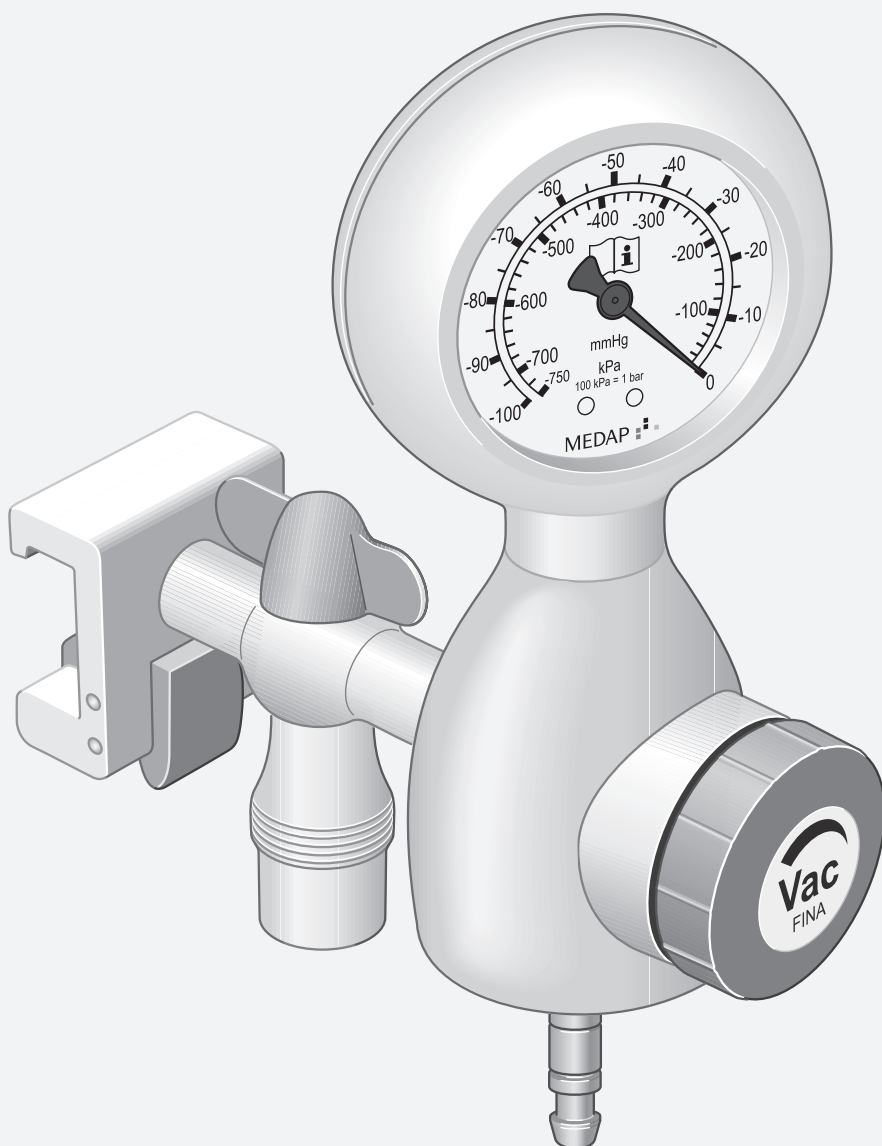


OPERATING INSTRUCTIONS

**MEDAP
TAPPING UNIT
FINA VAC B 800, P 350, D 150, T 50**

MEDAP 



Subject to technical modification!

Illustrations and technical specifications may vary slightly from those in these operating instructions as a result of ongoing product development.

V01 2023-09



Table of contents

1	Introduction	6
1.1	Foreword	6
1.2	How to use these operating instructions	6
1.2.1	Abbreviations	6
1.2.2	Symbols	6
1.2.2.1	Cross-references	6
1.2.2.2	Actions and responses	6
1.2.3	Definitions	7
1.2.3.1	Design of safety notes	7
1.2.3.2	Structure of notes	7
1.3	Symbols used.....	7
1.3.1	UDI code	9
1.4	Disposal.....	9
1.4.1	Packaging	9
1.4.2	ATMOS products.....	9
1.5	Overview	10
1.5.1	Overview of the FINA VAC B 800.....	10
1.5.2	Overview of the FINA VAC P 350.....	11
1.5.3	Overview of the FINA VAC D 150	12
1.5.4	Overview of the FINA VAC T 50.....	13
1.6	Versions.....	14
1.6.1	Overview of the FINA VAC B 800 versions	14
1.6.2	Overview of the FINA VAC P 350 versions	15
1.6.3	Overview of the FINA VAC D 150 versions	16
1.6.4	Overview of the FINA VAC T 50 versions	17
1.7	Basic requirements.....	17
1.7.1	Use in accordance with the intended purpose	17
1.7.2	Applicable standards.....	18
1.7.3	Intended purpose	18
1.7.4	Versions	21
1.7.5	Interface description.....	21
1.7.5.1	Hydrophobic bacterial and viral filter	21
1.7.5.2	Mechanical overflow protection	22
1.7.5.3	Vacuum connection tube	22
1.7.5.4	Septic fluid jar including septic fluid jar cap	22
1.7.5.5	Suction tube	23
1.7.5.6	Fingertip	23
1.7.5.7	Utensil	23
1.7.5.8	NIST connection	23



- 2 Safety notes 24**
- 2.1 General safety notes 24
- 2.2 Product safety notes..... 24
- 3 Initial operation..... 28**
- 3.1 Equipment inspection 28
- 3.2 Mounting..... 28
- 3.2.1 Mounting the vacuum gauge..... 28
- 3.2.2 Connection to the terminal unit 29
- 3.2.2.1 General 29
- 3.2.2.2 Version A..... 29
- 3.2.2.3 Version B 30
- 3.2.2.4 Version C (FINA VAC B 800 only)..... 30
- 3.2.3 Assembly of the septic fluid jar and accessories 31
- 4 Operation 34**
- 4.1 Function test..... 34
- 4.1.1 Additional function check for the FINA VAC T 50 35
- 4.2 Working with the product..... 35
- 4.2.1 Setting the vacuum for treatment (FINA VAC B 800 and P 350)..... 36
- 4.2.2 Setting the vacuum for treatment (FINA VAC D 150 and T 50)..... 36
- 5 Taking the unit out of operation..... 37**
- 5.1 Completing the aspiration process 37
- 6 Cleaning and disinfection..... 38**
- 6.1 General..... 38
- 6.2 Cleaning 39
- 6.2.1 General 39
- 6.2.2 Cleaning procedure..... 39
- 6.3 Disinfection 39
- 6.3.1 General 39
- 6.3.2 Suitable disinfectants 40
- 6.3.3 Disinfection procedure 40
- 6.3.4 Disinfection procedures 40
- 6.4 Product-specific safety notes 41
- 7 Maintenance..... 42**
- 7.1 General..... 42
- 7.2 Periodic tests..... 42
- 7.3 Malfunctions and troubleshooting..... 42
- 7.4 Repairs 43
- 7.5 Service hotline..... 43
- 7.6 Spare parts..... 43
- 7.7 Sending in the device 44



8	Technical specifications	45
8.1	FINA VAC B 800	45
8.2	FINA VAC P 350	45
8.3	FINA VAC D 150	46
8.4	FINA VAC T 50	46
9	Approved accessories	47
9.1	Standard scope of delivery	47
9.2	FINA VAC B 800	47
9.2.1	Accessories FINA VAC B 800	47
9.2.2	Complete units FINA VAC B 800	47
9.2.3	Consumables FINA VAC B 800	48
9.2.4	Application sets FINA VAC B 800	48
9.3	FINA VAC P 350	48
9.3.1	Accessories FINA VAC P 350	48
9.3.2	Consumables FINA VAC P 350	49
9.3.3	Application sets FINA VAC P 350	49
9.4	FINA VAC D 150	49
9.4.1	Accessories FINA VAC D 150	49
9.4.2	Consumables FINA VAC D 150	50
9.5	FINA VAC T 50	50
9.5.1	Accessories FINA VAC T 50	50
9.5.2	Consumables FINA VAC T 50	50

1 Introduction

1.1 Foreword

Your facility has selected the leading-edge medical technology made by ATMOS. We sincerely appreciate the trust you have placed in us.

1.2 How to use these operating instructions

These operating instructions are provided to familiarise you with the features of this ATMOS product. They are subdivided into several chapters.

Please note:

- Please read these operating instructions carefully and completely before using the product for the first time.
- Always proceed in accordance with the information contained herein.
- Store these operating instructions in a location near the product.

1.2.1 Abbreviations

EN	European standard
EEC	European Economic Community
VDE	Verband der Elektrotechnik Elektronik Informationstechnik (Association for Electrical, Electronic & Information Technology)

1.2.2 Symbols

1.2.2.1 Cross-references

References to other pages in these operating instructions are identified with a double arrow symbol '▶▶'.

1.2.2.2 Actions and responses




The '☒' symbol identifies an action taken by the user, while the '✓' symbol identifies the reaction that this will induce in the system.

Example:

- ☒ Turn on the light switch.
 - ✓ Lamp lights up.

1.2.3 Definitions



1.2.3.1 Design of safety notes

Pictogram	Descriptor	Text
	DANGER! Indicates a direct and immediate risk to persons which may be fatal or result in most serious injury.	The text for the safety note describes the type of risk and how to avert it.
	WARNING! Indicates a potential risk to persons or property which may result in a health hazard or grave property damage.	
	CAUTION! Indicates a potential risk to property which may result in property damage.	

Tab. 1: Design of safety notes

1.2.3.2 Structure of notes




Notes not referring to personal injury or property damage are structured as follows:
















Pictogram	Descriptor	Reference to
	NOTE	Supplementary assistance or further useful information without potential injury to persons or property damage is described in the text of the note.
	ENVIRONMENT	Information regarding proper disposal.

Tab. 2: Structure of notes

1.3 Symbols used

Symbols are attached to products, type plates and packaging.

Symbols	Identification
	Consult operating instructions
	Warning; pay special attention
	This device complies with the relevant requirements of the EU regulations.

Symbols	Identification
	This device complies with the relevant requirements of the EU regulations.
	Manufacturer
	Date of manufacture
	Date of manufacture Country of manufacture
	Reference number
	Unique Device Identifier of a medical device
	Medical device
	Serial number
	Batch code
	This side up
	Fragile, handle with care
	Keep dry
	Temperature limit
	Humidity limitation
	Atmospheric pressure limitation
>PA<	Material designation for PA (polyamide) plastic

Tab. 3: Symbols

1.3.1 UDI code

(01)	UDI-DI: Identification of the manufacturer and the device
(10)	Batch code
(11)	Date of manufacture
(21)	Serial number

Tab. 4: UDI code

1.4 Disposal



WARNING!

Infection hazard!

The product or some of its components may be contaminated after use.

Clean and disinfect the product before disposal.

1.4.1 Packaging

The packaging is made of materials compatible with the environment. ATMOS will dispose of the packaging materials upon request.

1.4.2 ATMOS products

ATMOS will take back used products or those which are no longer in service.

Please contact your ATMOS representative for more detailed information.

1.5 Overview

1.5.1 Overview of the FINA VAC B 800

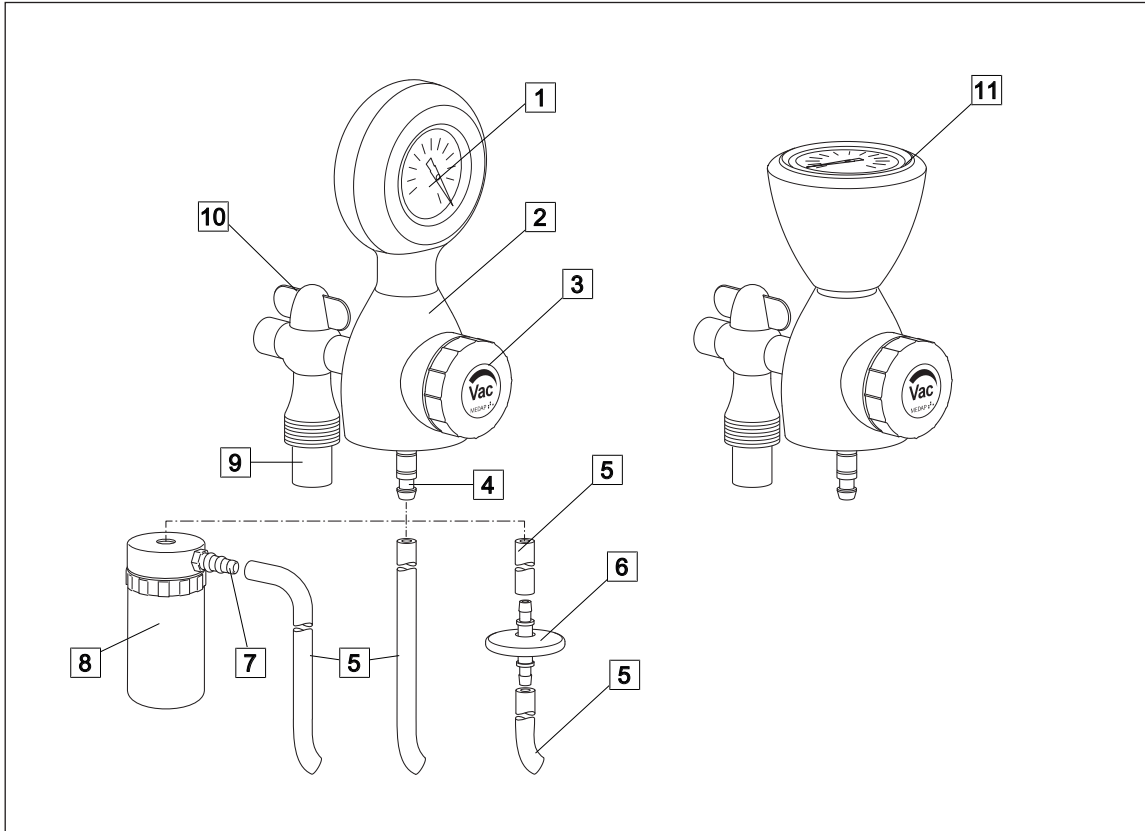


Fig. 1: Overview of the FINA VAC B 800

- | | |
|--|--|
| 1 Vacuum gauge | 7 Tube connector of mechanical overflow protection |
| 2 Housing | 8 Mechanical overflow protection |
| 3 Control valve | 9 NIST connection |
| 4 Tube connector | 10 Shut-off valve |
| 5 Vacuum connection tube | 11 Top view vacuum gauge |
| 6 Hydrophobic bacterial and viral filter | |

1.5.2 Overview of the FINA VAC P 350

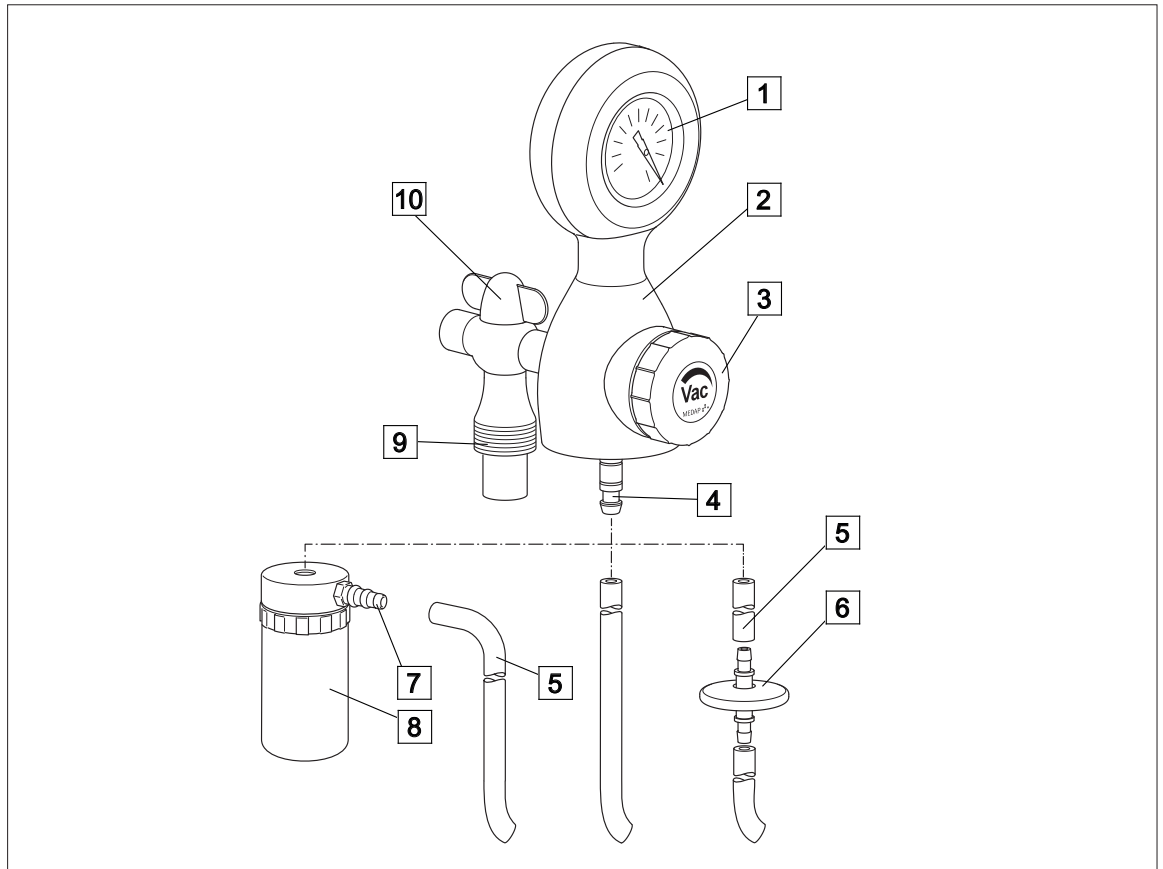


Fig. 2: Overview of the FINA VAC P 350

- | | |
|--------------------------|--|
| 1 Vacuum gauge | 6 Hydrophobic bacterial and viral filter |
| 2 Housing | 7 Tube connector of mechanical overflow protection |
| 3 Control valve | 8 Mechanical overflow protection |
| 4 Tube connector | 9 NIST connection |
| 5 Vacuum connection tube | 10 Shut-off valve |

1.5.3 Overview of the FINA VAC D 150

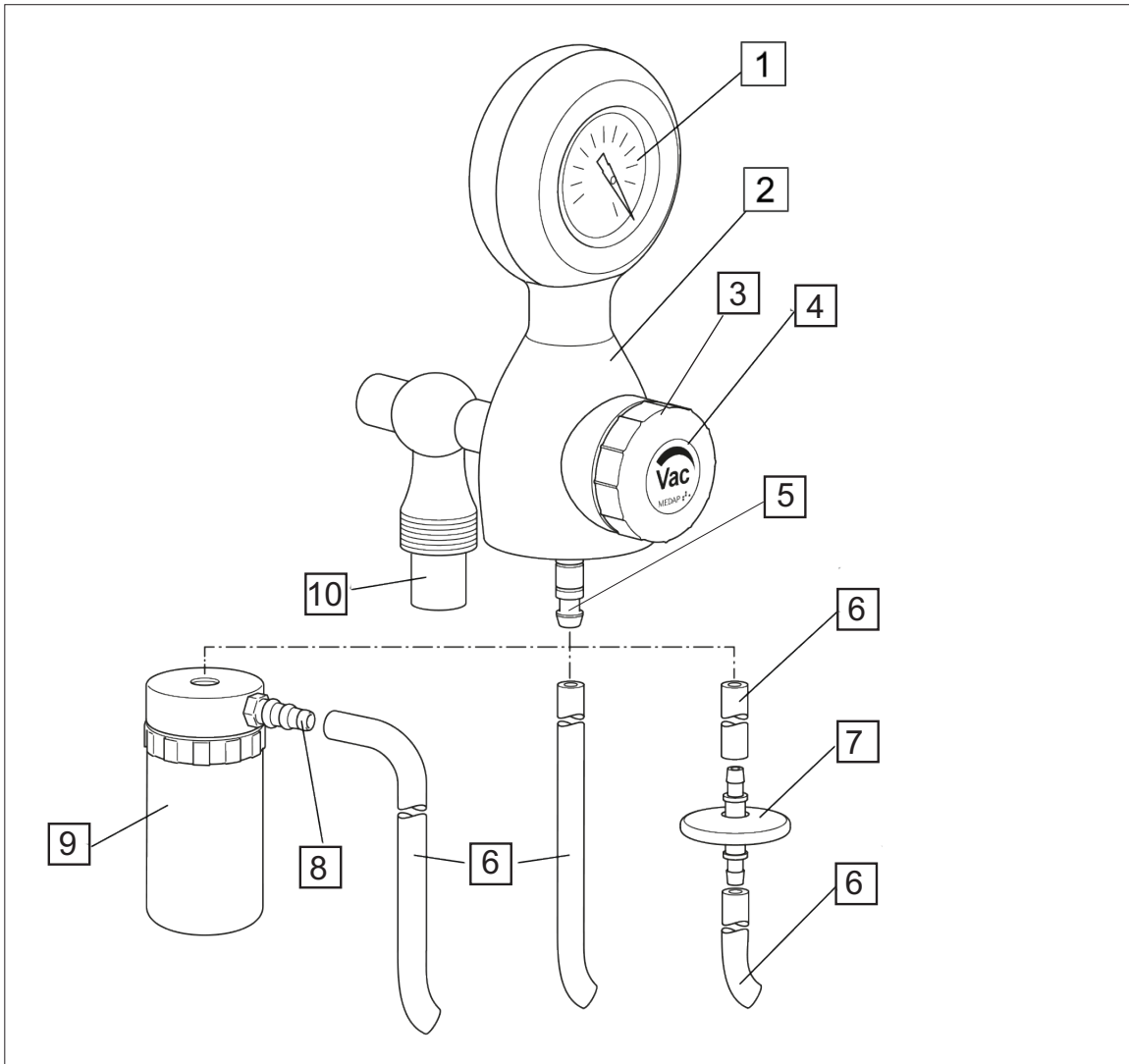


Fig. 3: Overview of the FINA VAC D 150

- | | |
|--|--|
| 1 Vacuum gauge | 6 Vacuum connection tube |
| 2 Housing | 7 Hydrophobic bacterial and viral filter |
| 3 Control valve | 8 Tube connector of mechanical overflow protection |
| 4 Shunt air openings of regulating valve | 9 Mechanical overflow protection |
| 5 Tube connector | 10 NIST connection |

1.5.4 Overview of the FINA VAC T 50

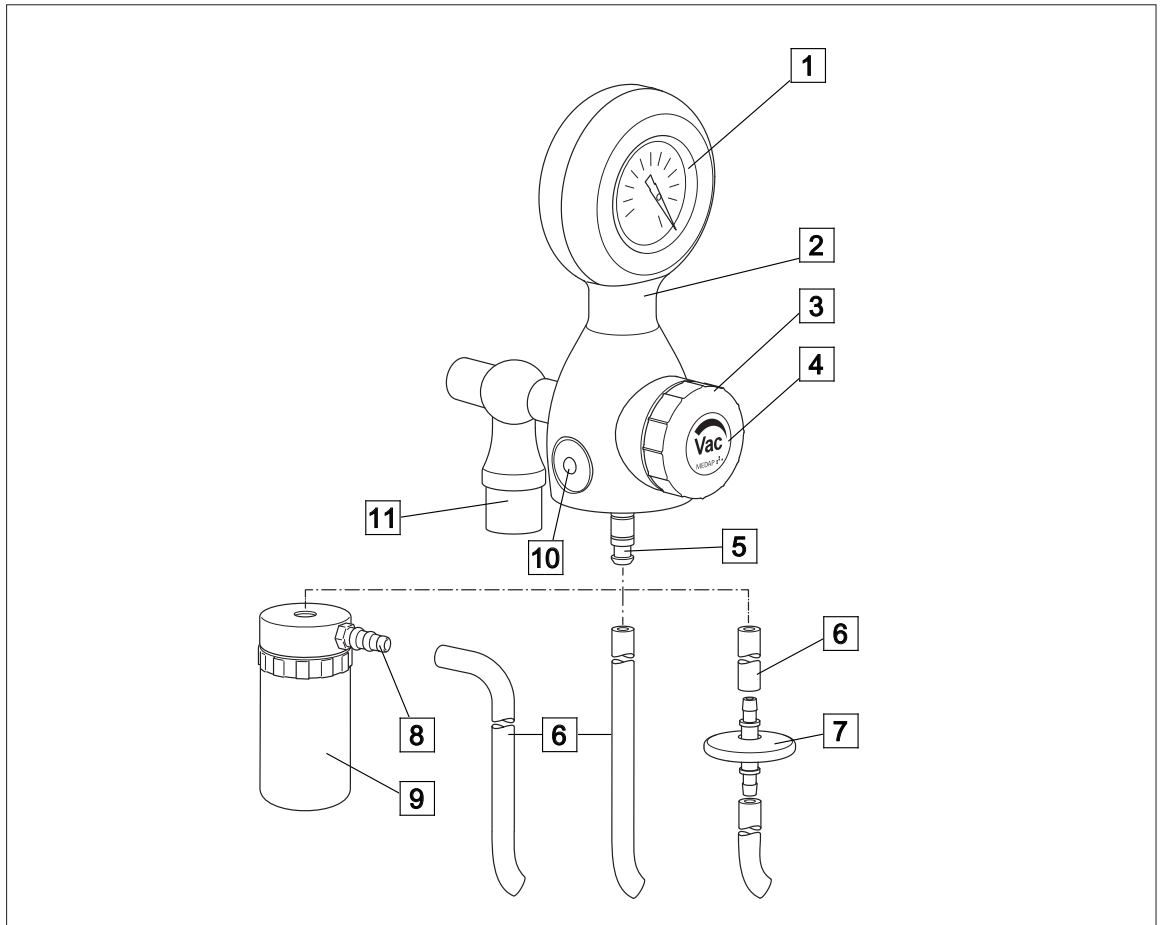


Fig. 4: Overview of the FINA VAC T 50

- | | |
|--|--|
| 1 Vacuum gauge | 7 Hydrophobic bacterial and viral filter |
| 2 Housing | 8 Tube connector of mechanical overflow protection |
| 3 Control valve | 9 Mechanical overflow protection |
| 4 Shunt air openings of regulating valve | 10 Pressure-relief valve |
| 5 Tube connector | 11 NIST connection |
| 6 Vacuum connection tube | |

1.6 Versions

1.6.1 Overview of the FINA VAC B 800 versions

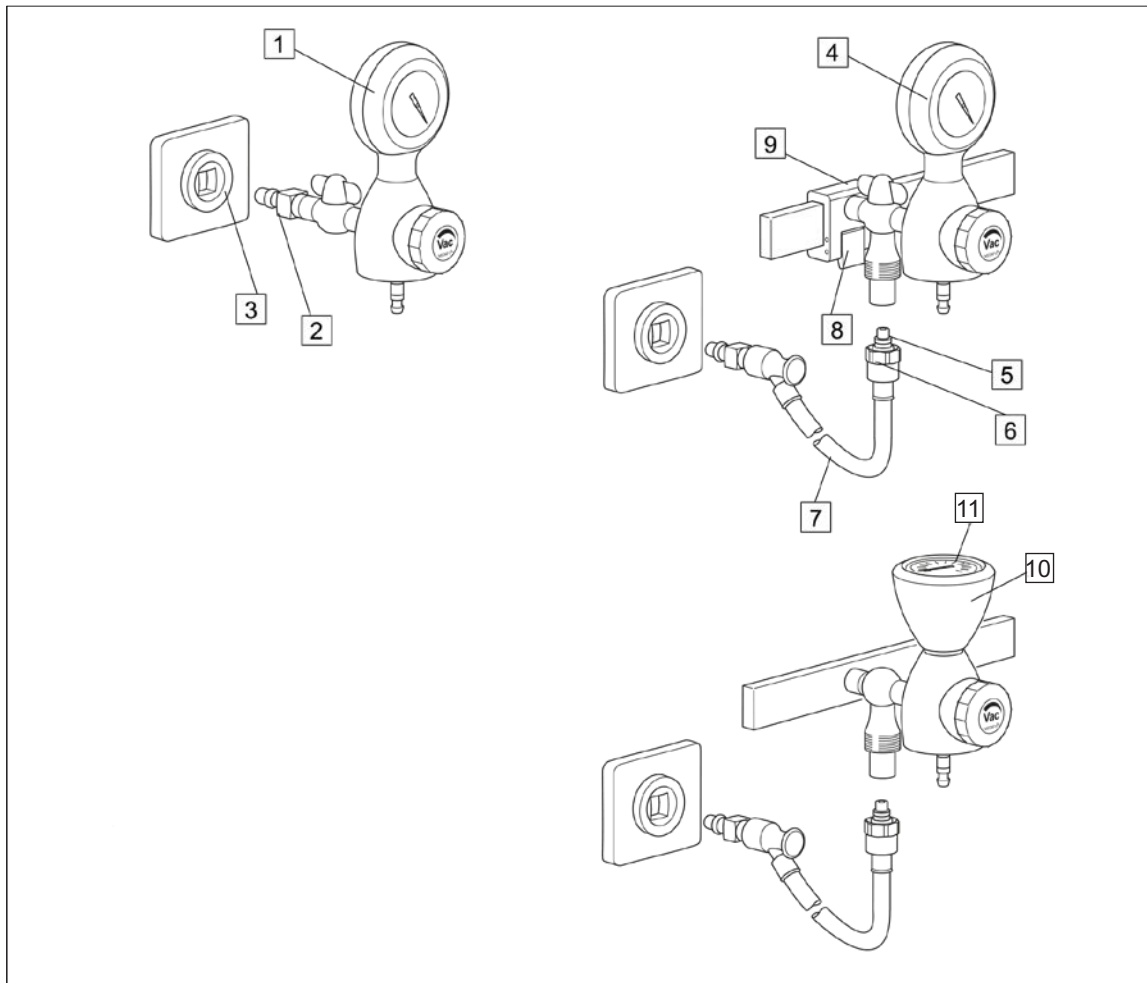


Fig. 5: Overview of the FINA VAC B 800 versions

1 Version A
Tapping unit with integrated gas pin

2 Plug

3 Terminal unit

4 Version B
Tapping unit with rail clamp and NIST connection

5 NIST nipple

6 NIST screw connection

7 Connection tube

8 Locking lever

9 Rail clamp

10 Version C
Tapping unit for screw connection, with NIST connection

11 Top view vacuum gauge

1.6.2 Overview of the FINA VAC P 350 versions

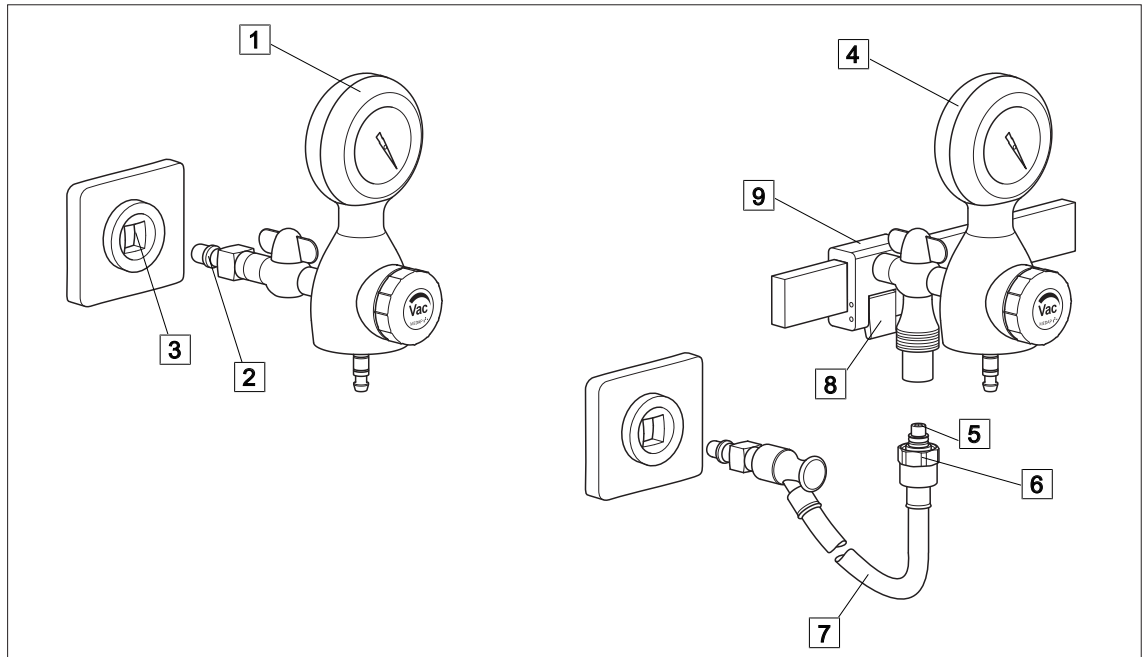


Fig. 6: Overview of the FINA VAC P 350 versions

- | | |
|--|---|
| <p>1 Version A
Tapping unit with integrated gas pin</p> <p>2 Plug</p> <p>3 Terminal unit</p> <p>4 Version B
Tapping unit with rail clamp and NIST connection</p> | <p>5 NIST nipple</p> <p>6 NIST screw connection</p> <p>7 Connection tube</p> <p>8 Locking lever</p> <p>9 Rail clamp</p> |
|--|---|

1.6.3 Overview of the FINA VAC D 150 versions

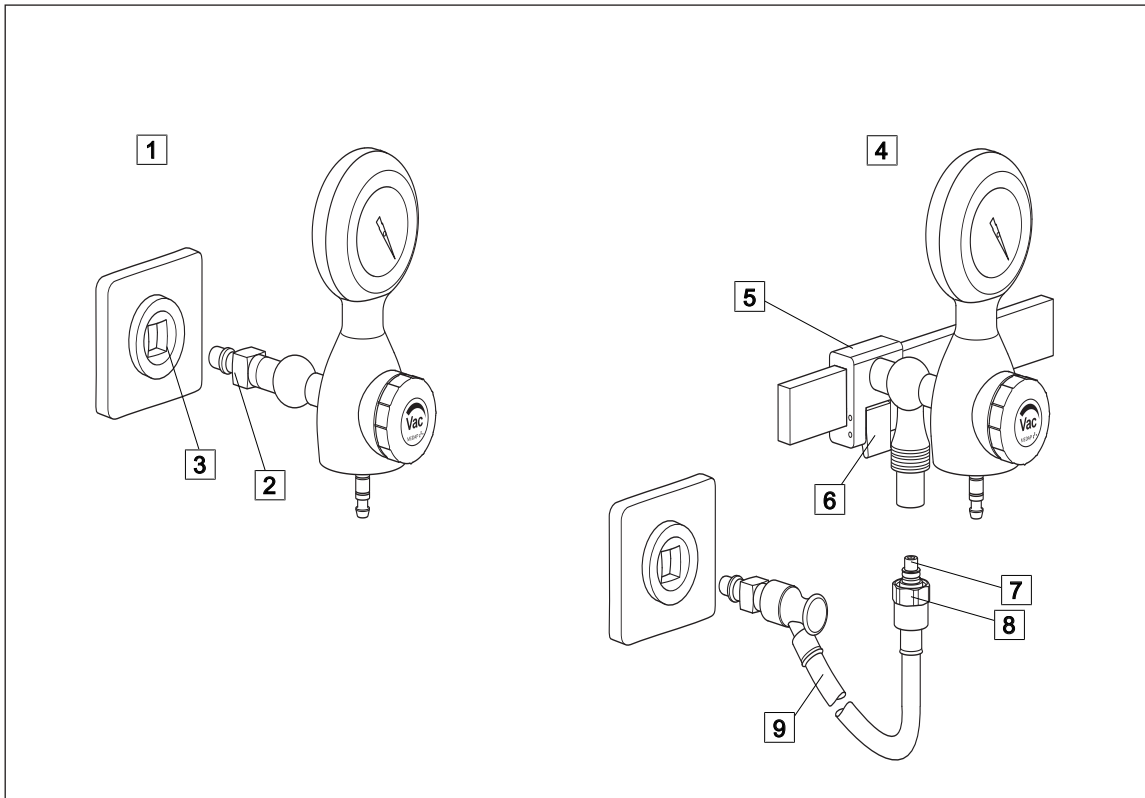


Fig. 7: Overview of the FINA VAC D 150 versions

- | | |
|--|---|
| <p>1 Version A
Tapping unit with integrated gas pin</p> <p>2 Plug</p> <p>3 Terminal unit</p> <p>4 Version B
Tapping unit with rail clamp and NIST connection</p> | <p>5 Rail clamp</p> <p>6 Locking lever</p> <p>7 NIST nipple</p> <p>8 NIST screw connection</p> <p>9 Connection tube</p> |
|--|---|

1.6.4 Overview of the FINA VAC T 50 versions

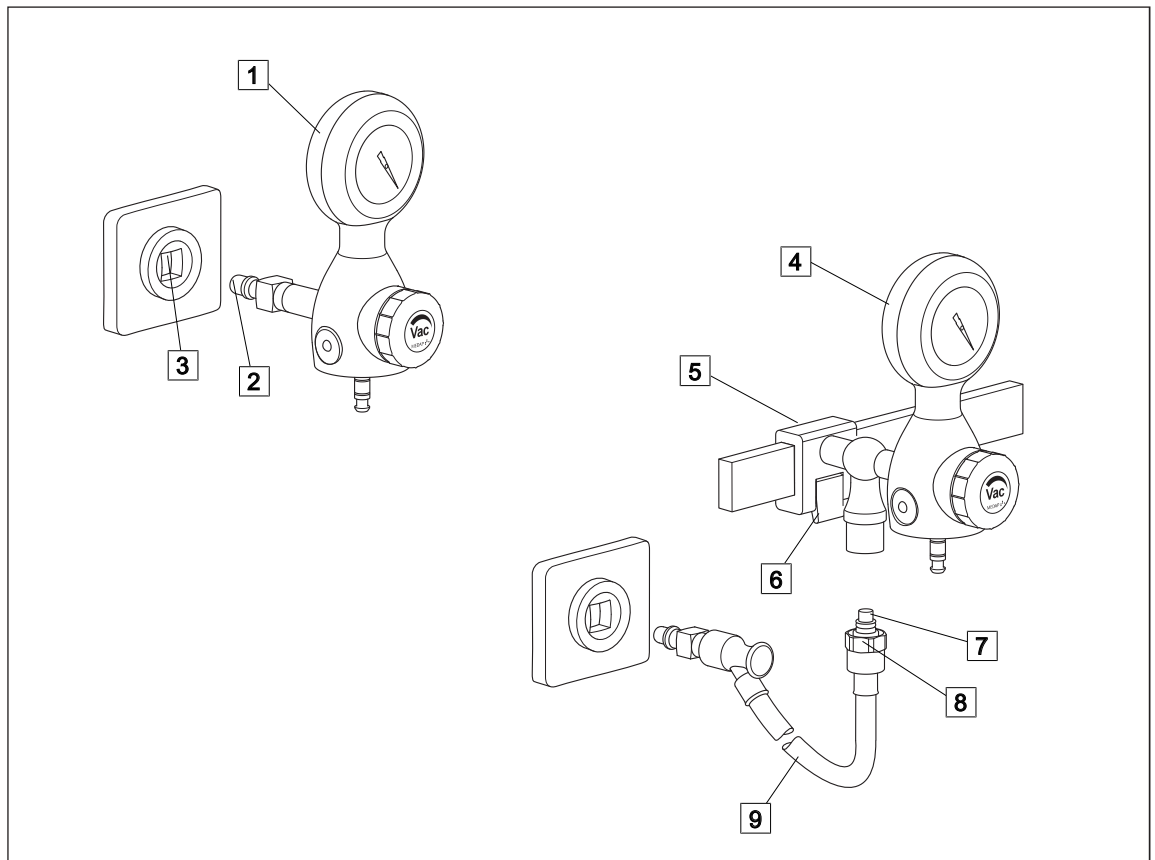


Fig. 8: Overview of the FINA VAC T 50 versions

- | | | | |
|---|---|---|-----------------------|
| 1 | Version A
Tapping unit with integrated gas pin | 6 | Locking lever |
| 2 | Plug | 7 | NIST nipple |
| 3 | Terminal unit | 8 | NIST screw connection |
| 4 | Version B
Tapping unit with rail clamp and NIST connection | 9 | Connection tube |
| 5 | Rail clamp | | |

1.7 Basic requirements

1.7.1 Use in accordance with the intended purpose

Product

As per Annex IX to the Medical Devices Directive 93/42/EEC, this product belongs to class IIa.

In accordance with this directive, the product may only be used by persons who have been instructed how to use this product by an authorised person.

This product is to be used exclusively for human medicine.

When employed in commercial or business use, this product must be entered in the inventory.

Accessories

Accessories or combinations of accessories may be utilised only as and when indicated in these operating instructions.

Other accessories, combinations of accessories and consumable items may be used only if they have a valid certification, are intended expressly for the particular use and will not adversely affect performance, the prescribed ambient conditions or safety requirements.

1.7.2 **Applicable standards**

The product satisfies the basic requirements set forth in Annex I to Council Directive 93/42/EEC concerning medical devices (Medical Devices Directive) as well as the applicable national (German) codes and the Medical Devices Act (MPG) in Germany. This has also been demonstrated through the application of the corresponding standards which have been harmonised with Directive 93/42/EEC.

1.7.3 **Intended purpose**

Name:	FINA VAC
Main functions:	<u>Applies exclusively to the FINA VAC B 800 and FINA VAC P 350:</u> Aspiration of secretion, blood, serous fluids, vomit, and rinsing fluids along with any contained particles <u>Applies exclusively to the FINA VAC D 150 and FINA VAC T 50:</u> Aspiration of secretion, blood, serous fluids
Intended use:	Drainage and temporary collection of body fluids. For the supply of vacuum, the product is connected to a terminal unit for vacuum of a central medical gas supply system with a pressure of -100 kPa to -60 kPa. A septic fluid jar, which has to be used, allows for temporary collection of drained body fluids.
Intended users / user profile:	Doctors, trained medical staff
Intended patient target groups:	<u>Applies exclusively to the FINA VAC B 800:</u> <ul style="list-style-type: none">• Surgical aspiration: Patients of all age groups with and without restrictions• Bronchial aspiration: Primarily for adults; for pediatrics FINA VAC P 350 would be an alternative <u>Applies exclusively to the FINA VAC P 350:</u> <ul style="list-style-type: none">• Bronchial aspiration in pediatrics and neonatology; the FINA VAC B 800 should be used for bronchial aspiration in adults. <u>Applies exclusively to the FINA VAC D 150 and FINA VAC T 50:</u> <ul style="list-style-type: none">• Patients of all age groups with and without restrictions
Medical condition to be diagnosed, treated or monitored:	<u>Applies exclusively to the FINA VAC B 800:</u> Patients who require aspiration, e.g., surgical aspiration <u>Applies exclusively to the FINA VAC P 350:</u> Children and neonates requiring bronchial aspiration <u>Applies exclusively to the FINA VAC D 150:</u> Patients requiring wound drainage <u>Applies exclusively to the FINA VAC T 50:</u> Patients requiring a vacuum in the regulation range 0 to – 5 kPa
Organ(s) applied to:	Natural and artificial body orifices
Duration of application:	Device designed for continuous application; in practice, short-term use on the patient (< 30 days)

Use environment:	Environments for use are the hospital/clinic environment and doctor's practices that have a central vacuum supply system. Doctors, trained medical staff.
Patient selection criteria:	<u>Applies exclusively to the FINA VAC B 800:</u> All patients requiring aspiration <u>Applies exclusively to the FINA VAC P 350:</u> Children and neonates requiring bronchial aspiration <u>Applies exclusively to the FINA VAC D 150:</u> All patients requiring wound drainage <u>Applies exclusively to the FINA VAC T 50:</u> All patients requiring a vacuum in the regulation range 0 -5 kPa
Indications:	<u>Applies exclusively to the FINA VAC B 800:</u> For all applications requiring aspiration, such as general surgical interventions (e.g., aspiration of wound cavities, abscesses), bronchial aspiration, during endoscopy for aspiration of secretion, and in neurosurgery <u>Applies exclusively to the FINA VAC P 350:</u> The product is used to ensure the precise adjustment of the vacuum and is particularly well suited for bronchial aspiration in pediatrics and neonatology <u>Applies exclusively to the FINA VAC D 150:</u> The product is designed for the precise regulation of vacuum and used for postoperative aspiration of wound exudate, septic fluid, blood or serous fluids. Additional fields of application are the aspiration of air as well as rinsing and wound drainage. <u>Applies exclusively to the FINA VAC T 50:</u> The product is designed to maintain the vacuum in the regulation range 0 to -5 kPa

Medical contra-indications: Applies exclusively to the FINA VAC B 800:

- Vacuum extraction
- Smoke evacuation
- Drainage in the low vacuum range (e.g., thoracic and wound drainage). Use in combination with disposable thoracic drainage systems with integrated vacuum regulation is excepted from this restriction.
- Use without a smoke evacuation filter if aggressive vapours are also generated during the aspiration of liquids due to easily volatile components (e.g., when using iodine as a disinfectant)

Applies exclusively to the FINA VAC P 350:

- Surgical aspiration
- Vacuum extraction
- Smoke evacuation
- Drainages in the low vacuum range (e.g., thoracic and wound drainage)

Applies exclusively to the FINA VAC D 150:

- Surgical aspiration
- Vacuum extraction
- Smoke evacuation
- Bronchial aspiration
- Thoracic drainages

Applies exclusively to the FINA VAC T 50:

- Surgical aspiration
- Vacuum extraction
- Smoke evacuation
- Bronchial aspiration
- Wound drainages
- Thoracic drainages without additional use of a water manometer
- In combination with disposable thoracic drainage systems, which require a higher flow than 12 l/min or a vacuum higher than -5 kPa

Other contra-indications:

- Outside the medical field
- MR areas
- In the homecare area
- Being operated directly by the patient or his relatives
- Aspiration of flammable or explosive liquids
- Use with central gas supply systems with a supply pressure other than -100 kPa to -60 kPa

Warnings:

None

The product is:

Active

Sterility / specific microbial state:

Non-sterile device

Single-use device / reprocessing:

The device is intended for multiple use. The device and part of the accessories are reusable. For information on reprocessing and disinfection, please see the operating instructions.

1.7.4 Versions

The connection of the FINA VAC to the terminal unit depends on the model being used:

Version A: Tapping unit with integrated gas pin

The FINA VAC is fitted directly to the terminal unit.

Version B: Tapping unit with rail clamp and NIST connection

The FINA VAC is designed for mounting onto a 25 x 10 mm equipment rail and is supplied via a NIST connection with vacuum from a terminal unit connected, using a connection tube with gas probe.

Version C: Tapping unit for screw connection, with NIST connection (FINA VAC B 800 only)

The FINA VAC is designed for direct screw mounting onto mobile suction units (surgical trolley) and compact suction units (carrier frame solo) and is supplied with vacuum from a terminal unit via a NIST connection with a connection tube and gas probe.

Products and accessories are only permitted with ISO colour coding. In Germany, Austria and Switzerland, products with neutral colour coding are also permitted.



NOTE

The products are supplied with ISO coding. The scope of delivery includes a label for neutral colour coding.

The FINA VAC B 800 is available in the following versions:

- FINA VAC B 800 Wall MEDAP (REF HM57523721)
- FINA VAC B 800 Wall DIN (REF HM57523722)
- FINA VAC B 800 Equipment rail (REF HM57523723)
- FINA VAC B 800 Equipment rail, top view gauge (REF HM57523725)
- FINA VAC B 800 Top-view gauge, screw connection (REF HM57524866)
- FINA VAC B 800 Equipm. mount Fresenius (REF HM57522521)

The FINA VAC P 350 is available in the following versions:

- FINA VAC P 350 Wall DIN (REF HM57523731)
- FINA VAC P 350 Equipment rail (REF HM57523732)

The FINA VAC D 150 is available in the following versions:

- FINA VAC D 150 Wall DIN (REF HM57523739)
- FINA VAC D 150 Equipment rail (REF HM57523740)

The FINA VAC T 50 is available in the following versions:

- FINA VAC T 50 Wall DIN (REF HM57523747)
- FINA VAC T 50 Equipment rail (REF HM57523748)

1.7.5 Interface description

All devices and accessories which are combined with the tapping unit must be listed in the accessories list or meet the specifications of the interface description. Configuration of the overall system as well as functional testing are subject to the overall responsibility of the medical staff. Functionality and suitability of the connected accessory for each intended application must be checked by the operator before every use. This includes the functionality of the connector components, airtightness and suitability regarding material properties, working pressure and flow rate.

1.7.5.1 Hydrophobic bacterial and viral filter

In its function as overflow protection device, the hydrophobic bacterial and viral filter protects the product against the ingress of particles, fluid and foam. In its function as bacterial and viral filter, it protects the product against the ingress of bacteria and viruses.

Prerequisites:

- Pore size $\leq 1.0 \mu\text{m}$
- The tube connector must match the vacuum connection tube being used
- The hydrophobic filter must close tightly against water passage at a pressure of up to 10 kPa
- If required, observe the direction of flow (see note on the hydrophobic bacterial and viral filter).

1.7.5.2 Mechanical overflow protection

The mechanical overflow protection device protects the product against the ingress of fluids. The mechanical overflow protection (REF HM57521698 or HM57521699) can be connected directly to the product.

Prerequisites:

- The tube connector must match the vacuum connection tube.

1.7.5.3 Vacuum connection tube

The vacuum connection tube is used to connect the tapping unit and the septic fluid jar. If a mechanical overflow protection (REF HM57521698 or HM57521699) is used, the vacuum connection tube connects the mechanical overflow protection to the septic fluid jar. If a hydrophobic bacterial and viral filter is used, two vacuum connection tubes are needed: one between the product and the hydrophobic filter and the other between the hydrophobic bacterial and viral filter.

Technical specifications:

- Shore hardness of 60
- Inner diameter 6 mm
- Length: 50 cm (± 10 cm)
- Vacuum resistant to -95 kPa (must not collapse)

Prerequisites:

- The vacuum connection tube must comply with the hospital's standards for hygiene.
- The inner diameter of the vacuum connection tube must match the outer diameter
 - of the tube connector on the product
 - the mechanical overflow protection
 - the inlet and outlet of the hydrophobic bacterial and viral filter
 - the connector on the vacuum side of the septic fluid jar

1.7.5.4 Septic fluid jar including septic fluid jar cap

The septic fluid jar and septic fluid jar cap are used to collect the secretions extracted.

Prerequisites:

- Low leakage
- Always fasten the septic fluid jar securely
- The outer diameter of the tube connector on the patient side should match the inner diameter of the suction tube

1.7.5.5 Suction tube

The suction tube is used as connection between the septic fluid jar and the utensil.

Technical specifications

- Shore hardness of 60
- Inner diameter of 6 to 8 mm
- Length of 1.3 m to 3.0 m
- Vacuum resistant to -95 kPa (must not collapse)

Prerequisites:

The outer diameter of the tube connector on the patient side of the septic fluid jar must match the inner diameter of the suction tube.

1.7.5.6 Fingertip

The fingertip serves to vent the suction tube in order to be able to quickly interrupt the aspiration process.

Prerequisites:

- It must be possible to sterilise the fingertip or it must be a sterilised disposable item.
- The outer diameter of the tube connector on the patient side should match the inner diameter of the suction tube.

1.7.5.7 Utensil

Suction catheters or lances are referred to as utensils. The utensils are used to extract septic fluids.

Prerequisites:

- The inner diameter of the utensil's connector must match the outer diameter of the fingertip.
- The utensil must be sterilisable or a sterile single-use item.
- Biocompatibility
- For endobronchial extraction, a utensil with side openings must be used.

1.7.5.8 NIST connection

The versions with equipment rails and screw connection have a NIST connection. Connection tubes with NIST connections for vacuum or compressed air can be connected.

2 Safety notes

2.1 General safety notes



WARNING!

Risk of injury!
Hazard resulting from incorrect handling.

Be absolutely sure to observe the operating instructions for all the products used in the configuration.



WARNING!

Risk of injury!
ATMOS products may be used only when fully functional .

Ensure that this ATMOS product is fully functional and in good working order prior to use.



CAUTION!

ATMOS recommends always having another aspirator ready to hand. This enables aspiration even in the event of product failure.

2.2 Product safety notes



DANGER!

Danger to life!
The product is not suitable for drainage and thoracic drainage. Usage in combination with disposable thoracic drainage systems with integrated vacuum regulation is excepted (FINA VAC B 800 only).



DANGER!

Danger to life!
The product is not suitable for drainage or thoracic drainage (FINA VAC P 350 only).



DANGER!

Infection hazard due to oversuction!
To avoid the ingress of fluid or foam into the product or the vacuum source, a hydrophobic filter must be used. If secretion enters the inside of the unit, the product must immediately be taken out of operation. Clean and disinfect the product and have it repaired by a service technician authorised by ATMOS to do so.



DANGER!

Infection hazard due to contamination!
To avoid the ingress of contaminants into the product or the vacuum source, a bacterial and viral filter must be used. If bacteria or viruses enter the inside of the unit, the product must immediately be taken out of operation. Clean and disinfect the product and have it repaired by a service technician authorised by ATMOS to do so.

**DANGER!**

Risk of injury to mucous membranes!

Endobronchial aspiration in paediatrics and neonatology requires particularly careful limitation of the vacuum. For the regular endobronchial aspiration in paediatrics and neonatology, ATMOS also offers paediatric versions with a higher level of setting convenience.

**DANGER!**

Defective product!

Using incorrect spare parts and accessories can cause injuries or equipment failure.

Only use original accessories, spare parts or products according to the interface description.

**WARNING!**

Impacts!

Impacts may cause damage to sensitive, precision mechanical components.

Do not expose the product to impacts.

**WARNING!**

Non-permissible load!

If the permissible load is exceeded, leakages may occur at the connection between the terminal unit and the gas probe.

In accordance with DIN EN ISO 9170-1, the overall weight of the product and accessories may not exceed 2 kg.

**WARNING!**

Foaming!

Foam may be created when extracting secretion. Foam is detrimental to the functioning of the mechanical overflow protection. This raises the risk that secretion may penetrate the product and cause it to break down.

Use an ordinary foam inhibitor.

**WARNING!**

Measuring accuracy / oversuction!

The product may only be operated in a vertical position.

**WARNING!**

Backflow of aspirated secretion!

In the event of oversuction, the aspirated secretion may flow back to the patient if there is secretion still left in the suction tube.

Before replacing the septic fluid jar in the event of oversuction or switching off the vacuum, always remove the tube from the patient first.

**WARNING!**

Risk of injury!

Replace the hydrophobic bacterial and viral filter immediately if it is discoloured, contaminated or oversucked.

Furthermore, the filter must be changed if the vacuum displayed is more than -0.3 bar / 30 kPa (FINA VAC B 800 and P 350), more than 0.13 bar / 13 kPa (FINA VAC D 150) or more than 0.05 bar / 5 kPa (FINA VAC T 50) when the vacuum controller is in the “max” position and the suction tube is open.

**WARNING!**

Risk of injury!

The product may **not** be used for the following purposes or under the following conditions:

- Never throw, hit or drop the unit.
- The product is not suitable for vacuum extraction.
- The product may not be used without a hydrophobic filter.
- The product may not be used without a bacterial and viral filter.
- The product may not be used without a septic fluid jar.
- The product may not be used without a fingertip.
- Do not hold or lift the product by the vacuum gauge.
- The vacuum gauge is not autoclavable.
- During storage, the unit should be protected against damage by using cloths, for example.

**DANGER!**

Infection hazard due to oversuction!

To avoid the ingress of fluid or foam into the product or the vacuum source, a hydrophobic filter must be used. If secretion enters the inside of the unit, the product must immediately be taken out of operation. Clean and disinfect the product and have it repaired by a service technician authorised by ATMOS to do so.

**DANGER!**

Infection hazard due to contamination!

To avoid the ingress of contaminants into the product or the vacuum source, a bacterial and viral filter must be used. If bacteria or viruses enter the inside of the unit, the product must immediately be taken out of operation. Clean and disinfect the product and have it repaired by a service technician authorised by ATMOS to do so.

**WARNING!**

Risk to patient!

Use the special tapping unit for thoracic drainage to limit the vacuum in the control range less than 3 kPa, especially for thoracic drainage.

**WARNING!**

Risk to patient!

Risk of infection due to improper handling!

Applicable rules for hygiene have to be observed in order to avoid infection or bacterial contamination when suctioning off and disposing of secretions. Use only sterile catheters during extraction and ensure that the patient is not injured during the procedure. Always wear gloves while working.

**WARNING!**

Allergic reactions due to contact!

The materials used were examined for their compatibility. In exceptional cases, allergic reactions to accessible materials on the unit and its accessories can occur. This applies to contact injuries in the event of prolonged contact. In this case, consult a doctor immediately.



Report all serious incidents that have occurred in connection with this product to the manufacturer and your national competent authority.

3 Initial operation

3.1 Equipment inspection



DANGER!

Product inspection!

Only product parts which are in perfect condition can ensure proper functioning of the product. The product parts will thus have to be carefully inspected before mounting.



WARNING!

Infection hazard!

Contaminated components may endanger the health of staff and patients.

Ensure the product is prepared as per hygiene standards before using it for the first time.



NOTE

In order to ensure the functionality, carry out a function check prior to use.

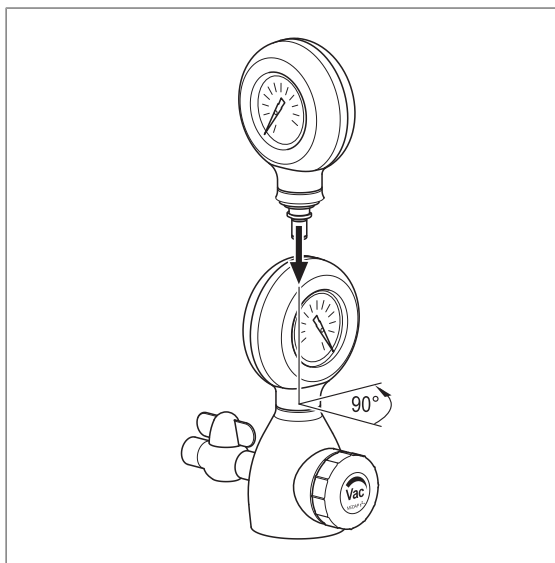
3.2 Mounting

3.2.1 Mounting the vacuum gauge



NOTE

The vacuum gauge connection is pressure range specific. If it is not possible to assemble the vacuum gauge, check the scale maximum and the unit designation to see whether the parts can actually match.



☒ Insert the vacuum gauge into the basic unit with a 90° twist and press downwards until it stops. Turn the vacuum gauge by 90° to the front to lock it.

Fig. 9: Mounting the vacuum gauge

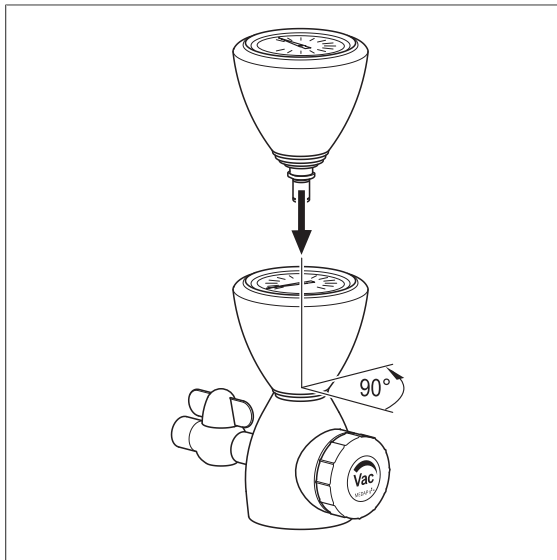


Fig. 10: Top view of mounting the vacuum gauge

3.2.2 Connection to the terminal unit

3.2.2.1 General



NOTE

Please refer to the manufacturer's instructions for the particular terminal unit for information on connecting the gas probe to the terminal unit.

3.2.2.2 Version A

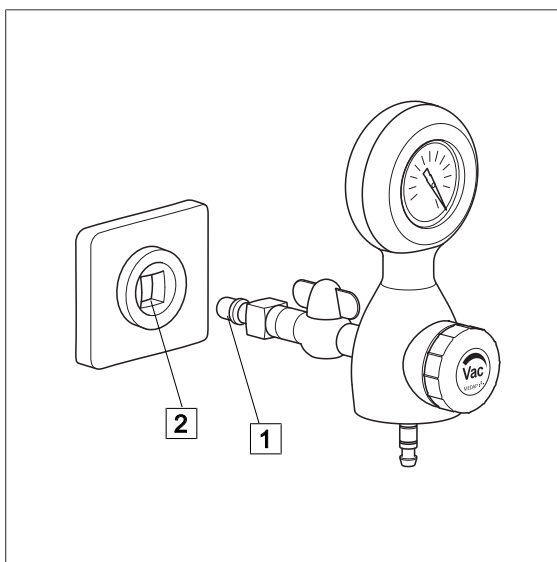


Fig. 11: Version A

Tapping unit with integrated gas pin

The tapping unit (1) is plugged directly into the terminal unit (2).

3.2.2.3 Version B

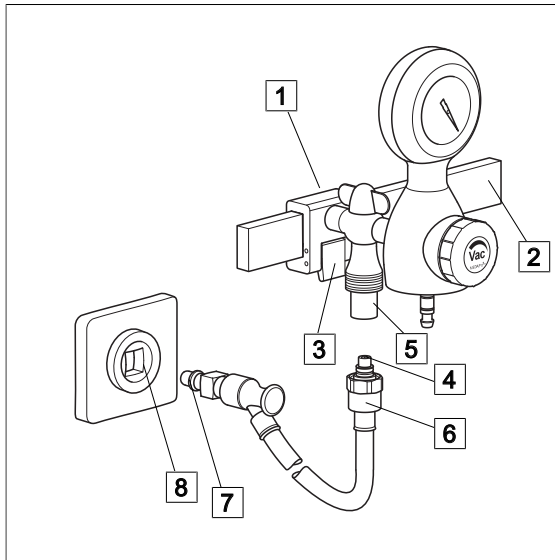


Fig. 12: Version B

Tapping unit with rail clamp and NIST connection

- ☒ With the upper edge of the guide groove at the front, position the rail clamp (1) at a slight angle on the equipment rail (2) and then press it against the equipment rail and allow it to click into place.
- ☒ Make sure that the rail clamp is correctly secured and that the tapping unit is in a stable position on the equipment rail. The locking lever (3) must be flush with the rail clamp.
- ☒ Insert the NIST nipple (4) of the connection tube into the NIST connection (5) of the tapping unit and tighten down the NIST screw connection (6) by hand.
- ☒ Plug the gas probe (7) of the connection tube into the terminal unit (8).

3.2.2.4 Version C (FINA VAC B 800 only)

The tapping unit for screw connection may be connected to a surgical trolley or aspiration set carrier frame solo. The carrier frame is used to show the assembly.

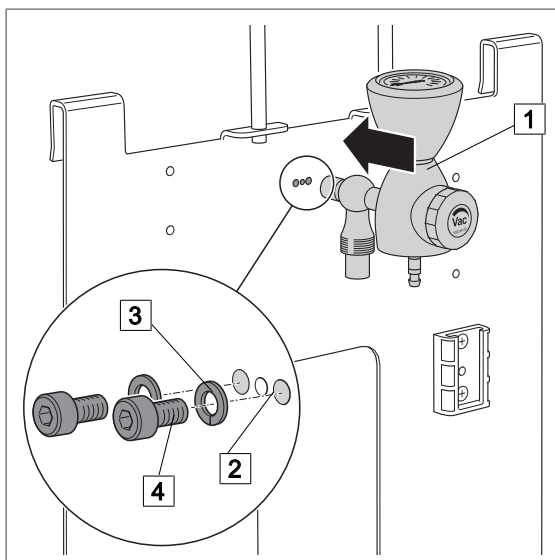
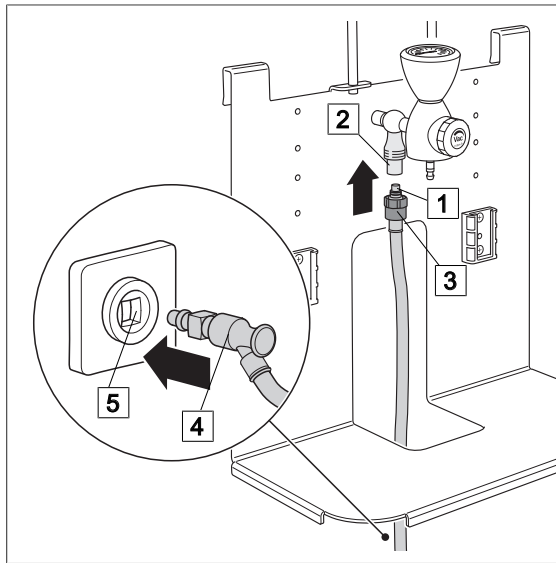


Fig. 13: Version C

Tapping unit for screw connection, with NIST connection

- ☒ Press the tapping unit (1) up against the carrier frame.
 - ✓ The drilled holes of the tapping unit are positioned over the drilled holes (2) of the carrier frame.
- ☒ Put the lock washers (3) onto the hexagon screws (4).
- ☒ Use the hexagon screws to screw the tapping unit into place.



- ☒ Insert the NIST nipple (1) of the connection tube into the NIST connection (2) of the tapping unit and tighten down the NIST screw connection (3) by hand.
- ☒ Plug the gas probe (4) of the connection tube into the terminal unit (5).

Fig. 14: Connection tube

3.2.3 Assembly of the septic fluid jar and accessories



WARNING!

Tensile forces!

The connected accessories must not exert any mechanical forces which could adversely affect the secure fit of the product.



WARNING!

Tensile forces!

Hold the basic unit with one hand when installing or removing accessories in order to compensate for the tensile forces which are created.



NOTE

Refer to the manufacturer's instructions for additional information on the use of the septic fluid jar and the extraction utensil.

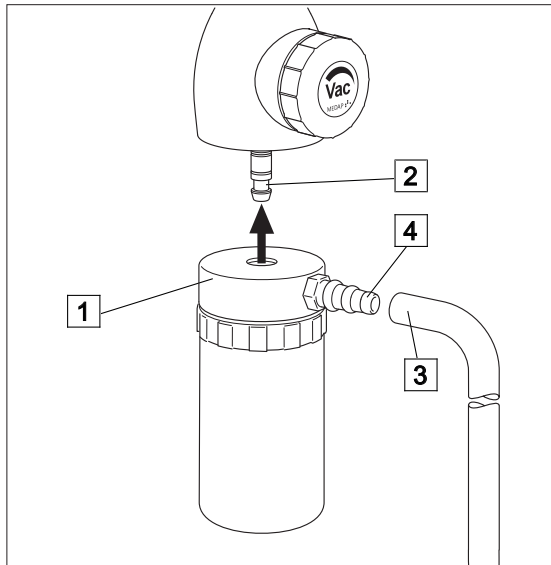


Fig. 15: Connection of the mechanical overflow protection

Connection of the mechanical overflow protection

- ☒ Plug the overflow protection device (1) directly onto the tube connector (2) on the housing of the tapping unit and press upwards until it stops.
- ☒ Attach the connection tube (3) to the tube connector (4) of the mechanical overflow protection device and to the designated tube connector of the septic fluid jar.
- ☒ For disassembly, first remove the connection tube from the tube connector of the mechanical overflow protection device. Then remove the complete overflow protection device with lid from the tube connector of the tapping unit. Hold the tapping unit steady with one hand while doing so.

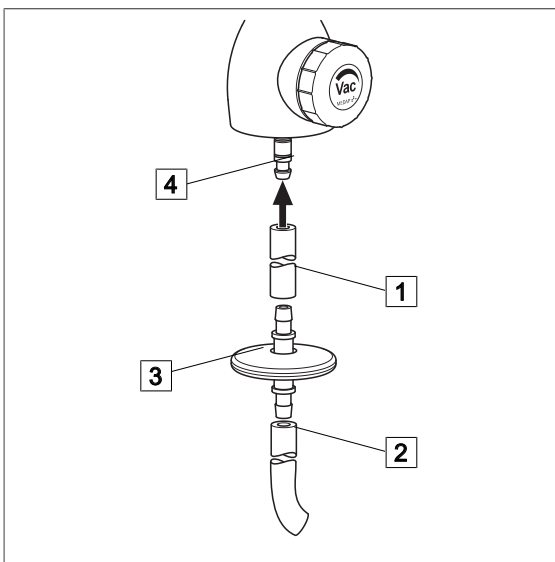


Fig. 16: Connection of the hydrophobic bacterial and viral filter

Connection of the hydrophobic bacterial and viral filter

- ☒ The connection tubes (1) and (2) are plugged onto the tube connectors of the hydrophobic bacterial and viral filter (3).
- ☒ Check the flow direction of the bacterial and viral filter. The inlet side must face the patient, and the outlet must face the tapping unit.
- ☒ Then plug the connection tube onto the tube connector (4) on the housing of the tapping unit.
- ☒ Connect the connection tube with the designated tube connector of the septic fluid jar.

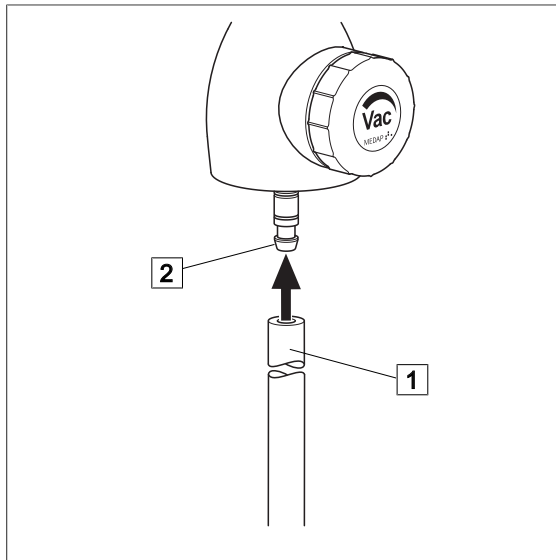


Fig. 17: Connection of the septic fluid jar

Connection of the septic fluid jar with integrated hydrophobic bacterial and viral filter

- Attach the connection tube (1) to the tube connector (2) on the housing of the tapping unit and to the tube connector of the septic fluid jar.

4 Operation

4.1 Function test

**DANGER!**

Function check!

The product is used in the treatment of patients. Any restriction in the unit's performance can result in serious complications in treatment.

Perform a complete function check every time before using the unit.

**NOTE**

Connecting several septic fluid jars in series can cause delayed suction effect and reduced flow rate.

Prior to each use, carry out the following function checks:

Version A: Tapping unit with integrated gas pin

- The tapping unit is correctly plugged into the terminal unit.

Version B: Tapping unit with rail clamp and NIST connection

- The tapping unit is locked firmly to the equipment rail.

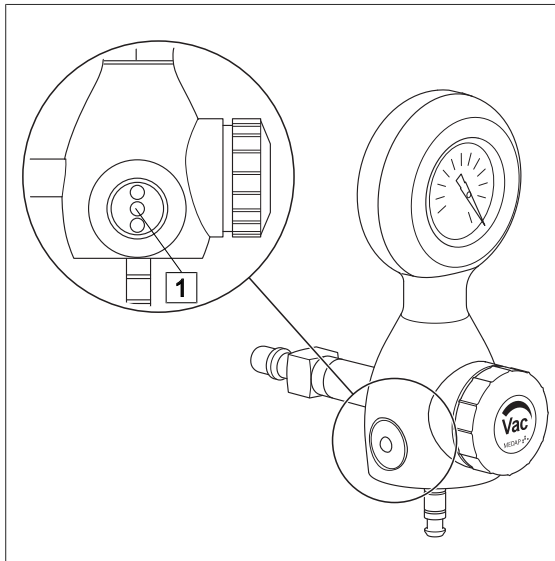
Version C: Tapping unit for screw connection, with NIST connection (FINA VAC B 800 only)

- Tapping unit is firmly screwed to the surgical trolley or aspiration set carrier frame solo.

All versions:

- The product has been properly cleaned and neither residue nor contamination are present.
- The control valve can be easily turned and the shut-off valve is functioning (FINA VAC B 800 and P 350 only).
- The overflow protection device and the hydrophobic bacterial and viral filter are mounted, fully functional and no residue is trapped in it.
- The tube connectors are firmly secured and tightly sealed, and no mechanical forces are acting on the tubes.
- The plastic and rubber product parts are in perfect condition and show no signs of ageing.
- A septic fluid jar is connected to the tapping unit.

4.1.1 Additional function check for the FINA VAC T 50



- The pressure-relief valve (1) of the tapping unit is not clogged.
- The vacuum controller is working.
- The pressure-relief valve (silicone washer) of the tapping unit is pressed tight and centred on the sealing edge of the pressure-relief valve seat.
- The vacuum controller generates a maximum value of 6.5 kPa when fully opened.
- When regulating up and down from zero setting to the maximum and back, there are no jumps in the vacuum.
- Close the control valve very gently only.

Fig. 18: Pressure-relief valve of the tapping unit

4.2 Working with the product



DANGER!

Infection hazard!

In the event of oversuction, the hydrophobic bacterial and viral filter must no longer be used.

Replace the hydrophobic bacterial and viral filter with a new one.



WARNING!

Vacuum setting!

Make the vacuum settings very carefully! The regulating mechanism is sensitive.



WARNING!

Air inlet!

The drill hole on the underside of the unit must always be kept free so that airflow is always ensured.



NOTE

Check the vacuum setting once again immediately before using the unit!

4.2.1 Setting the vacuum for treatment (FINA VAC B 800 and P 350)

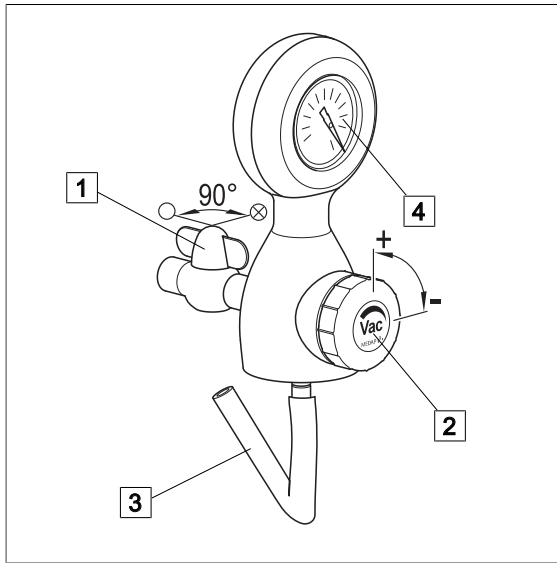


Fig. 19: Setting the vacuum FINA VAC B 800 and P 350

Setting the vacuum for treatment

- ☒ Open the shut-off valve (1) completely for operation. For this purpose, turn the valve by 90° so that it is in line with the gas supply.
- ☒ Close the control valve (2) until it stops. Turn in a clockwise direction.
- ☒ Bend the connection tube (3) leading to the septic fluid jar and set the vacuum with the control valve while doing so. Turn anticlockwise. Read the value on the vacuum gauge (4). Should it not be possible to shut off or increase the vacuum as required, refer to the troubleshooting table to find the cause.
- ☒ Use the control valve to set the required value for the treatment.

Increase the vacuum: Turn the control valve anticlockwise.

Reduce the vacuum: Turn the control valve clockwise.

4.2.2 Setting the vacuum for treatment (FINA VAC D 150 and T 50)

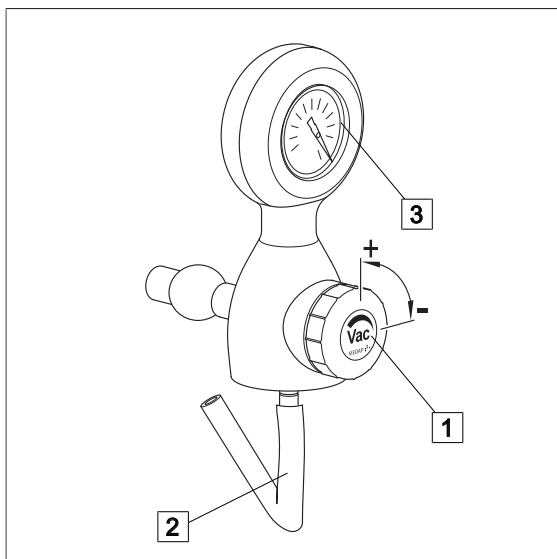


Fig. 20: Setting the vacuum FINA VAC D 150 and T 50

Setting the vacuum for treatment

- ☒ Close the control valve (1) until it stops. Turn in a clockwise direction.
- ☒ Bend the tube A (2) leading to the septic fluid jar and set the vacuum with the control valve while doing so. Turn anticlockwise. Read the value on the vacuum gauge (3). In case of malfunctions, e.g. insufficient vacuum level, refer to the troubleshooting table for the cause.

- ☒ Use the control valve to set the required value for the treatment.

Increase the vacuum: Turn the control valve anticlockwise.

Reduce the vacuum: Turn the control valve clockwise.

5 Taking the unit out of operation

5.1 Completing the aspiration process

**DANGER!**

Infection hazard!

All of the components in the septic fluid jar might be contaminated.

Always wear gloves when emptying the septic fluid jar and be absolutely sure to follow the hygiene rules.

**NOTE**

Please refer to the manufacturer's instructions for the particular terminal unit for information on detaching the gas probe from the terminal unit.

- Remove the suction tube from the patient.
- Close the shut-off valve and the control valve.
- Empty the septic fluid jar and recondition or replace it.
- Remove the connection tubes and the overflow protection device / the hydrophobic bacterial and viral filter from the tapping unit and from the septic fluid jar and recondition or discard them.
- Clean the components.
- Disconnect the gas probe from the terminal unit.

Version B: Tapping unit with rail clamp and NIST connection

- Remove the product from the equipment rail. For this purpose, pull the locking lever and lift the product off the equipment rail.

6 Cleaning and disinfection

6.1 General

The product must be wipe or spray disinfected after every use.



DANGER!

Risk due to incorrect use of detergents and disinfectants!

It is strictly advised to observe the manufacturer's instructions regarding how to use the detergents and disinfectants as well as to observe the valid hospital hygiene rules.



DANGER!

Infection hazard!

Product may be contaminated.

Always wear gloves for cleaning and disinfection.



DANGER!

Infection hazard!

Particles of grime may become encapsulated and lead to the product not reaching the desired germ reduction after disinfection.

Before disinfection, the product must be cleaned thoroughly of contamination and encapsulated particles of grime.



CAUTION!

Improper cleaning and disinfection can cause property damage!

Do **not** use the following products for cleaning and disinfection:

- Products containing alcohol (e.g. hand disinfectants)
- Halogenides (e.g. fluorides, chlorides, bromides, iodides)
- Dehalogenating compounds (e.g. fluorine, chlorine, bromine, iodine)
- Products that may scratch the surface (e.g. scouring agents, wire brushes, wire wool)
- Standard commercial solvents (e.g. benzene, thinner)
- Water containing iron particles
- Cleaning sponges containing iron
- Products containing hydrochloric acid

Use a soft, lint-free cloth or a soft nylon brush to clean the product.



CAUTION!

Improper cleaning and disinfection can cause property damage!

Use only as much detergent and disinfectant as required.



CAUTION!

Improper cleaning and disinfection can cause property damage!

After each cleaning and disinfection process, carry out the functionality test.

6.2 Cleaning

6.2.1 General



NOTE

Use only all-purpose cleaners which are slightly alkaline (soap solution) and contain surfactants and phosphates as the active cleaning agents.

In the event of heavily contaminated surfaces, use concentrated all-purpose detergent.



CAUTION!

Improper cleaning can cause property damage!

Residues of physiological saline solutions (e.g. sodium chloride) can attack the surfaces of the product.

Remove residues of physiological saline solutions with a cloth dampened in clean water. Then dry the product with a dry, lint-free cloth.



CAUTION!

Improper cleaning can cause property damage!

Do not spray cleaning agent directly into the joints or gaps and never use a high-pressure cleaning unit!

6.2.2 Cleaning procedure

- Use the correct dose of all-purpose detergent with water for the degree of surface contamination and in accordance with the instructions of the detergent manufacturer.
- Thoroughly wipe off the product with a soft cloth slightly dampened in an all-purpose detergent solution.
- Ensure that the product is free of contamination and encapsulated particles of grime.
- Thoroughly wipe off the product with a soft cloth slightly dampened in clean water.
- Ensure that the product is free of detergent residues.
- Dry the product with a dry, absorbent and lint-free cloth.
 - ✓ This will help to reduce pathogen growth on the product's surface.
- Wipe disinfect the product after every cleaning process.

6.3 Disinfection

6.3.1 General



NOTE

In the event that product surfaces are very dirty, carry out an additional cleaning procedure before disinfecting.



DANGER!

Reduced performance!

Only clean the product by wipe disinfection.

Ensure that no disinfectants enter the unit.

Check the functionality of the product after each disinfection.

**CAUTION!**

Material damage due to excessive exposure times!

Exceeding the specified exposure time of the disinfectant may damage the surfaces.

Observe the exposure time specified by the disinfectant manufacturer.

6.3.2**Suitable disinfectants**

Only surface disinfectants based on the following combinations of active ingredients may be used for disinfection:

- Aldehydes
- Quaternary ammonium compounds
- Guanidine derivatives

Ingredient group	Active ingredients
Aldehydes	2-ethyl-1-hexanal, formaldehyde, glutardialdehyde, glyoxal, o-phthaldialdehyde, succinaldehyde
Quaternary ammonium compounds	Alkyl-didecyl-polyoxethyl ammonium propionate, alkyl-dimethyl-alkylbenzyl ammonium chloride, alkyl-dimethyl-ethyl ammonium chloride, alkyl-dimethyl-ethylbenzyl ammonium chloride, benzalkonium propionate, benzalkonium chloride (alkyl-dimethyl-benzyl ammonium chloride, coco-dimethyl-benzyl ammonium chloride, lauryl-dimethylbenzyl ammonium chloride, myristyl-dimethyl-benzyl ammonium chloride), benzethonium chloride, benzyl-dihydroxyethyl-coco-alkyl ammonium chloride, dialkyl-dimethyl ammonium chloride (didecyldimethyl ammonium chloride), didecyl-methyl-oxyethyl ammonium propionate, mecetronium-ethyl sulfate, methyl-benzethonium chloride, n-octyl-dimethyl-benzyl ammonium chloride
Guanidine derivatives	Alkyl-biguanide, chlorhexidine-digluconate, cocospropylene-diamine guanidinium diacetate, oligomeric biguanide, polyhexamethylene biguanide hydrochloride (oligo-diimino imido-carbonyl imino-hexamethylene, polyhexanide)

Tab. 5: Active ingredients of disinfectants

6.3.3**Disinfection procedure**

- Wipe disinfect the product in accordance with the instructions of the disinfectant manufacturer after every cleaning process.
- Ensure that the product is free of disinfectant residue.
- Perform visual and functional inspections.

6.3.4**Disinfection procedures**

Different disinfection procedures may be used for the various components depending on the properties of the materials. Before disinfection, remove contamination and residues from the parts and dry well.

Components	Wipe, spray disinfection ¹
Trolley	X
Catheter holder	
<p>¹ After exposure (as prescribed in the manufacturer's instructions), remove disinfectant residues from the components using a moist cloth and dry them afterwards.</p>	

6.4 Product-specific safety notes



DANGER!

Health hazard!

The product may not be disassembled for cleaning or disinfection. During cleaning and disinfection, pay attention that no cleaning agent, disinfectant or other contamination is able to enter the product.



DANGER!

Risk to patient!

Oversuction of products results in them no longer being functional. There is considerable risk to the patient if the tapping unit is not cleaned properly after being exposed to oversuction, as safety equipment could be clogged.

After oversuction, products must be dismantled and cleaned thoroughly by authorised service staff.



CAUTION!

Property damage due to sterilisation!

Do not sterilise the product.



CAUTION!

Property damage!

Using non-colour-fast surgical drapes can cause discolouration of surfaces.

Only use colour-fast surgical drapes.



NOTE

For the cleaning and disinfection of versions B and C, disconnect the connection tube with the NIST screw connection from the tapping unit.

7 Maintenance

7.1 General

Maintenance, repairs and periodic tests may only be carried out by persons who have the appropriate technical knowledge and are familiar with the product. To carry out these measures, the person must have the necessary test devices and original spare parts.

ATMOS recommends: Work should be carried out by an authorised ATMOS service partner. This ensures that repairs and testing are carried out professionally, original spare parts are used and warranty claims remain unaffected.



DANGER!

Health hazard!

The product is used in the treatment of patients. The product or some of its components may be contaminated.

Clean and disinfect the product before maintenance and repair. Repair work may be performed by personnel authorised by ATMOS.

7.2 Periodic tests

At least every 5 years a test must be performed.

7.3 Malfunctions and troubleshooting

Defect	Source of malfunction	Corrective actions
<ul style="list-style-type: none"> • No or low vacuum • No or reduced flow rate • Regulation of flow rate not possible 	Shut-off valve is closed	Open the shut-off valve
	No vacuum gauge connected	Attach the vacuum gauge in accordance with the operating instructions
	Connection tube is not connected to tapping unit	Connect connection tube according to operating instructions
	Connection tube too long	Shorten connection tube to a maximum length of 50 cm
	Connection tubes collapse	Use special connection tubes (vacuum proof up to -95 kPa)
	Full septic fluid jar; overflow protection system closed	Empty/replace septic fluid jar; replace overflow protection device
	Oversuction of hydrophobic bacterial and viral filter	Replace hydrophobic bacterial and viral filter
	Seal damaged	Replace seal
	Suction system is leaking	Check suction system
	The shut-off valve is defective (FINA VAC B 800 and P 350 only)	Contact Technical Service
	Central supply system failure	
	Gas probe connection is loose	
	Vacuum gauge is defective	
	Control valve is defective	

Defect	Source of malfunction	Corrective actions
Vacuum gauge does not fit	An attempt has been made to connect the vacuum gauge to the tapping unit with the scale pointing forwards	Always insert vacuum gauge with a 90° twist and then turn it to the front
	Vacuum gauge for the incorrect pressure range	Select vacuum gauge for the correct pressure range (see type plate); connections are coded
Oversuction of product despite protective system	Tapping unit mounted at an angle	Operate tapping unit in a vertical position only
	Overflow protection device contaminated	Clean/replace the overflow protection device
	No foam inhibitor used	Use standard commercial foam inhibitor
Gas probe does not fit into the terminal unit	Terminal unit for the wrong gas type	Check gas type

7.4 Repairs

The following may require repairs by the manufacturer or an authorised service partner:

- Liquid has penetrated the device.
- Performance has significantly decreased.
- Inexplicable notifications appear.
- Abnormal noises occur.
- Functional faults cannot be rectified according to the measures in chapter Malfunctions and troubleshooting [▶▶ page 42].

If defects are detected, the product may not be used any longer.

Make a note of the defects and the REF number on the type plate and inform your ATMOS representative.

Observe the information in chapter Sending in the device [▶▶ page 44].

7.5 Service hotline

+49 7653 689-0

7.6 Spare parts

HM57522100	Front-view vacuum gauge (FINA VAC B 800)
HM57522101	Top-view vacuum gauge (FINA VAC B 800)
HM57522102	Vacuum gauge paediatrics (FINA VAC P 350)
HM57522103	Vacuum gauge for drainage (FINA VAC D 150)
HM57522104	Vacuum gauge thoracic drainage 0–5 kPa (FINA VAC T 50)

Tab. 6: Spare parts


7.7 **Sending in the device**

- Remove and properly dispose of consumables.
- Clean and disinfect the product and accessories according to the operating instructions.
- Place used accessories with the product.
- Fill in form QD 434 'Delivery complaint / return shipment' and the respective **decontamination certificate**.

This form is enclosed with each delivery and can be found at www.atmosmed.com.

- The device must be well padded and packed in suitable packaging.
- Place form QD 434 'Delivery complaint / return shipment' and the respective **decontamination certificate** in an envelope.
- Affix the envelope to the outside of the package.
- Send the product to ATMOS or to your dealer.

8 Technical specifications

Nominal pressure, gas supply	-100 kPa to -60 kPa*
Vacuum gauge	Accuracy class 2.5
Environmental conditions: Transport/storage <ul style="list-style-type: none"> • Temperature range • Air humidity without condensation • Air pressure 	-15...+50 °C 10...95 % 700...1060 hPa
Environmental conditions: Operation <ul style="list-style-type: none"> • Temperature range • Air humidity without condensation • Air pressure 	+10...+40 °C 30...75 % 700...1060 hPa
Periodic tests	At least every 5 years a test must be performed.
CE marking	

Tab. 7: Technical specifications

8.1 FINA VAC B 800

Vacuum regulation range (depending on the nominal pressure of the gas supply)	0 to -80 kPa**
Flow rate (freeflow)*	min. 50 l/min
Dimensions with vacuum gauge (L x W x H)	165 x 72 x 170 mm
Dimensions with top view vacuum gauge (L x W x H)	165 x 72 x 140 mm
Weight	1,100 g
Reference number (REF)	<ul style="list-style-type: none"> • HM57523721 • HM57523722 • HM57523723 • HM57523725 • HM57524866 • HM57522521

Tab. 8: FINA VAC B 800

8.2 FINA VAC P 350

Vacuum regulation range (depending on the nominal pressure of the gas supply)	0 to -35 kPa*
Flow rate (freeflow)*	approx. 18 l/min ± 2 l
Dimensions with vacuum gauge (L x W x H)	165 x 72 x 170 mm
Weight	1,100 g
Reference number (REF)	<ul style="list-style-type: none"> • HM57523731 • HM57523732

Tab. 9: FINA VAC P 350

8.3 FINA VAC D 150

Vacuum regulation range (depending on the nominal pressure of the gas supply)	0 to -13 kPa*
Flow rate* (freeflow)	min. 13.5 l/min
Dimensions with vacuum gauge (L x W x H)	141 x 72 x 170 mm
Weight	1,100 g
Reference number (REF)	<ul style="list-style-type: none"> • HM57523739 • HM57523740

Tab. 10: FINA VAC D 150

8.4 FINA VAC T 50

Vacuum regulation range (depending on the nominal pressure of the gas supply)	0 to -5 kPa*
Flow rate* (freeflow)	16 l/min \pm 4 l
Opening pressure of pressure-relief valve on patient side	approx. 0.05 kPa
Excess pressure on patient side at 10 l/min	\leq 1 kPa
Dimensions with vacuum gauge (L x W x H)	141 x 72 x 170 mm
Weight	1,100 g
Reference number (REF)	<ul style="list-style-type: none"> • HM57523747 • HM57523748

Tab. 11: FINA VAC T 50

* 100 kPa = 1 bar = 1000 mbar = 750 mmHg

** in accordance with EN 10079-3. Depending on the design of the gas supply system, the actual performance of the tapping unit may be reduced.

9 Approved accessories

9.1 Standard scope of delivery

HM57503779	Neutral colour coding label
------------	-----------------------------

Tab. 12: Standard scope of delivery

9.2 FINA VAC B 800

9.2.1 Accessories FINA VAC B 800

The following accessories are not part of the scope of delivery and must be ordered separately.

HM57521699	Mechanical overflow protection
HM57525256	Aspiration set frame solo
HM57525288	Fixation set for aspiration set frame
HM57525314	Trolley for surgery
HM57508021	Tube holder
401.0300.0	ATMOS-External Canister 3 l
401.0200.0	ATMOS-External Canister 2 l
401.0100.0	ATMOS-External Canister 1 l
401.0301.0	ATMOS-Suction Bag 3 l with Gelling Agent, 70 pcs.
401.0201.0	ATMOS-Suction Bag 2 l with Gelling Agent, 100 pcs.
401.0101.0	ATMOS-Suction Bag 1 l with Gelling Agent, 100 pcs.
401.0302.0	ATMOS-Suction Bag 3 l, 70 pcs.
401.0202.0	ATMOS-Suction Bag 2 l, 100 pcs.
401.0102.0	ATMOS-Suction Bag 1 l, 100 pcs.
HM57522049	Vacuum shift
HM57524538	Bowl, diameter 20 cm
VAC connection tube with NIST screw connection (see MEDAP tube list)	

Tab. 13: Accessories FINA VAC B 800

9.2.2 Complete units FINA VAC B 800

HM57525365	FINA Mobile Aspiration Unit Basic Equipment VAC
HM57525260	FINA Portable Aspiration Unit Basic Equip / VAC
HM57525367	FINA Mobile Aspiration Unit / VAC/ 2x3 l / ISO
HM57525815	FINA Mobile Aspiration Unit/VAC/ 2x3 l / ISO/ATMOS
HM57525262	FINA Portable Aspiration Unit / VAC /2x1 l / ISO
HM57525820	FINA Portable Aspiration Unit/VAC/2x1 l/ISO/ATMOS

Tab. 14: Complete units FINA VAC B 800

9.2.3 Consumables FINA VAC B 800

HM57500630	Hydrophobic bacterial and viral filter
006.0009.0	Suction hose, silicone, Ø 6 mm, 1 m
000.0347.0	Fingertip

Tab. 15: Consumables FINA VAC B 800

9.2.4 Application sets FINA VAC B 800

HM57523330	Aspiration set for equipment rail / 1 l
HM57525810	Suction set for equipment rail / 1 l / ATMOS
HM57525811	Suction set for equipment rail / 2 l / ATMOS
HM57525669	Aspiration set wall fixation / 1 l
HM57525812	Aspiration set wall fixation / 1 l / ATMOS
HM57525813	Aspiration set wall fixation / 2 l / ATMOS
HM57525645	AS Septic fluid aspiration / 2 x 1 l
HM57525818	AS Septic fluid aspiration / 2 x 1 l / ATMOS
HM57522067	AS surgical aspiration / 2 x 5 l
HM57525664	AS surgical aspiration / 2 x 4 l / PSU
HM57525665	AS surgical aspiration / 2 x 4 l / PC
HM57522068	AS surgical aspiration / 2 x 3 l
HM57525801	AS Surgical Aspiration / 2 x 3 l / ATMOS
HM57524940	AS Surgical Aspiration / 2 x 3 l / Serres®

Tab. 16: Application sets FINA VAC B 800

9.3 FINA VAC P 350**9.3.1 Accessories FINA VAC P 350**

The following accessories are not part of the scope of delivery and must be ordered separately.

HM57521699	Mechanical overflow protection
401.0300.0	ATMOS-External Canister 3 l
401.0200.0	ATMOS-External Canister 2 l
401.0100.0	ATMOS-External Canister 1 l
401.0301.0	ATMOS-Suction Bag 3 l with Gelling Agent, 70 pcs.
401.0201.0	ATMOS-Suction Bag 2 l with Gelling Agent, 100 pcs.
401.0101.0	ATMOS-Suction Bag 1 l with Gelling Agent, 100 pcs.

401.0302.0	ATMOS-Suction Bag 3 l, 70 pcs.
401.0202.0	ATMOS-Suction Bag 2 l, 100 pcs.
401.0102.0	ATMOS-Suction Bag 1 l, 100 pcs.
HM57508021	Tube holder
VAC connection tube with NIST screw connection (see MEDAP tube list)	

Tab. 17: Accessories FINA VAC P 350

9.3.2 Consumables FINA VAC P 350

HM57500630	Hydrophobic bacterial and viral filter
006.0009.0	Suction hose, silicone, Ø 6 mm, 1 m
000.0347.0	Fingertip

Tab. 18: Consumables FINA VAC P 350

9.3.3 Application sets FINA VAC P 350

HM57523330	Aspiration set for equipment rail / 1 l
HM57525810	Suction set for equipment rail / 1 l / ATMOS
HM57525811	Suction set for equipment rail / 2 l / ATMOS
HM57525669	Aspiration set wall fixation / 1 l
HM57525812	Aspiration set wall fixation / 1 l / ATMOS
HM57525813	Aspiration set wall fixation / 2 l / ATMOS

Tab. 19: Application sets FINA VAC P 350

9.4 FINA VAC D 150

9.4.1 Accessories FINA VAC D 150

The following accessories are not part of the scope of delivery and must be ordered separately.

HM57521699	Mechanical overflow protection
401.0300.0	ATMOS-External Canister 3 l
401.0200.0	ATMOS-External Canister 2 l
401.0100.0	ATMOS-External Canister 1 l
401.0301.0	ATMOS-Suction Bag 3 l with Gelling Agent, 70 pcs.
401.0201.0	ATMOS-Suction Bag 2 l with Gelling Agent, 100 pcs.
401.0101.0	ATMOS-Suction Bag 1 l with Gelling Agent, 100 pcs.
401.0302.0	ATMOS-Suction Bag 3 l, 70 pcs.
401.0202.0	ATMOS-Suction Bag 2 l, 100 pcs.
401.0102.0	ATMOS-Suction Bag 1 l, 100 pcs.
VAC connection tube with NIST screw connection (see MEDAP tube list)	

Tab. 20: Accessories FINA VAC D 150

9.4.2 Consumables FINA VAC D 150

HM57500630	Hydrophobic bacterial and viral filter
006.0009.0	Suction hose, silicone, Ø 6 mm, 1 m

Tab. 21: Consumables FINA VAC D 150

9.5 FINA VAC T 50**9.5.1 Accessories FINA VAC T 50**

The following accessories are not part of the scope of delivery and must be ordered separately.

HM57521699	Mechanical overflow protection
	VAC connection tube with NIST screw connection (see MEDAP tube list)

Tab. 22: Accessories FINA VAC T 50

9.5.2 Consumables FINA VAC T 50

HM57500630	Hydrophobic bacterial and viral filter
006.0009.0	Suction hose, silicone, Ø 6 mm, 1 m

Tab. 23: Consumables FINA VAC T 50

Notes

MEDAP 

■ **Manufacturer:**

ATMOS
MedizinTechnik GmbH & Co. KG
Ludwig-Kegel-Str. 16
79853 Lenzkirch
GERMANY
Telephone: +49 7653 689-0
www.atmosmed.com